
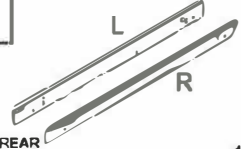
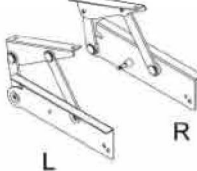





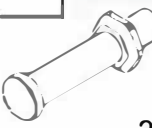
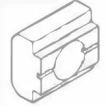
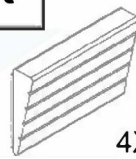






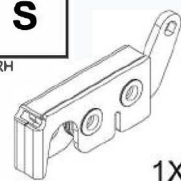
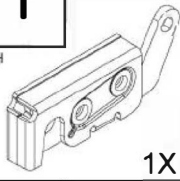



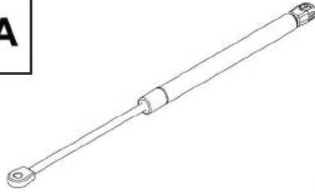

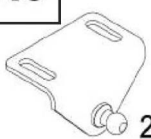
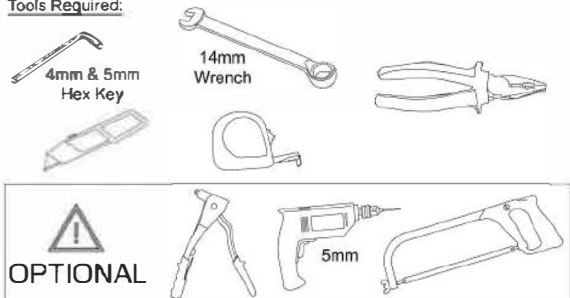


UpStoneEvolve

INSTALLATION INSTRUCTIONS EVO289-EVO389

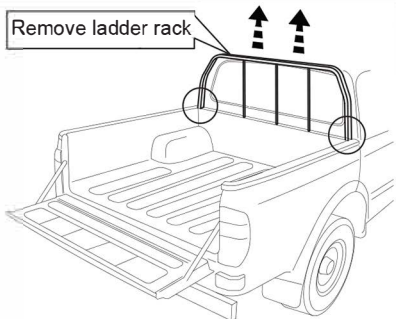
NISSAN D40 2005/2015

A  1X	B  1X	C  1X	D  2X		
E  4X	F M8x25mm  4X	G M8 x16 Stainless Steel Washer  6X	H M8 Stainless Steel Spring Washer  2X	I  2X	J  2X
K  4X	L  2X	M M8 Nylock  4X	N M6x18  12X	O M6x13mm Zinc  12X	P M6x10mm  8X
R M8 x16 Zinc Washer  4X	S RH  1X	T LH  1X	U M5 Cable Bolt, Washer & Dome Nut  2X	V  2X	
W  2X	X 	Y 	Z 	AA  2X	
AB  1X	AC  2X	<p>Note 1: If at any stage of installation you find your sportlid to be an unacceptable fit please contact the manufacturer before continuing.</p> <p>Note 2: If required, use Under Rail Bed Liner only. NOT FOR USE WITH OVER RAIL BED LINER!</p> <p>Tools Required:</p>  <p>OPTIONAL</p>			

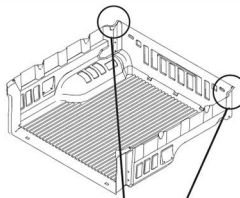
Fitting Kit Number	Product	Revision	Date	Page
KIT289-389-RLBF	Upstone Lid	1	10-09-2013	1

1

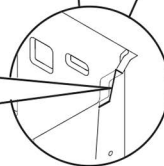
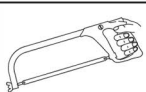
Remove ladder rack



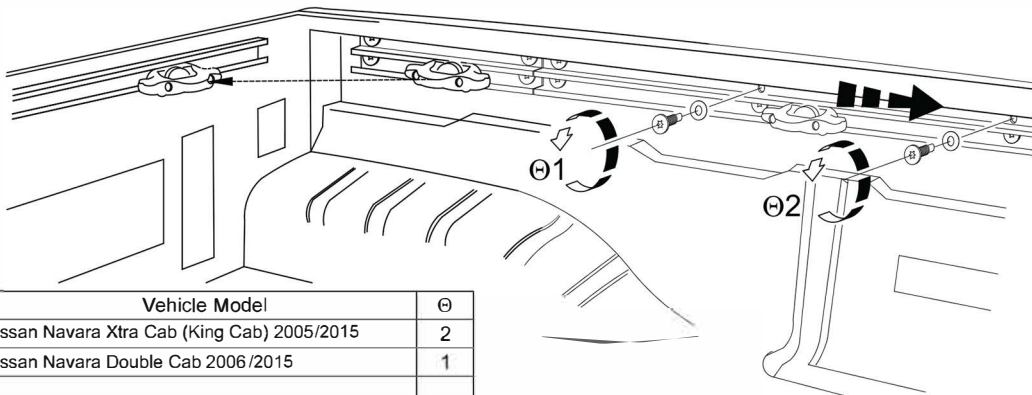
Note 2: If required, use Proform Under Rail Bed Liner only. Not for use with Over Rail Bed Liner.



Follow guide lines to trim liner in front corners.

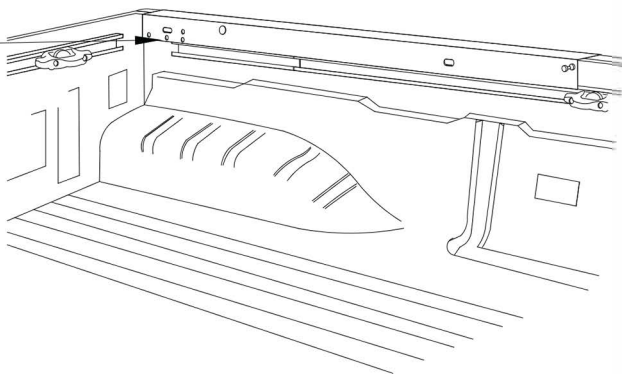
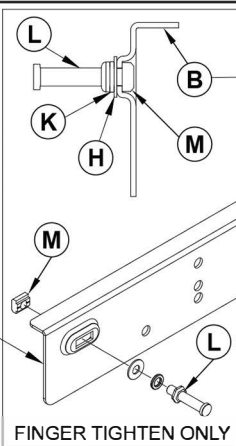
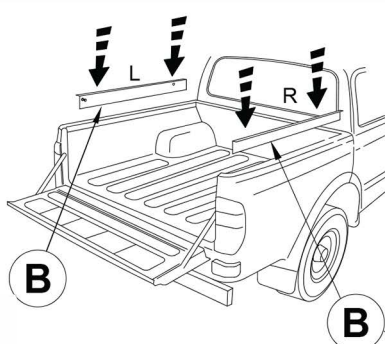


2



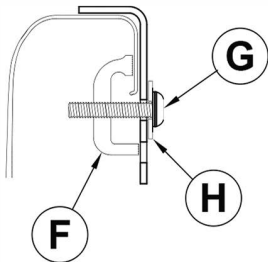
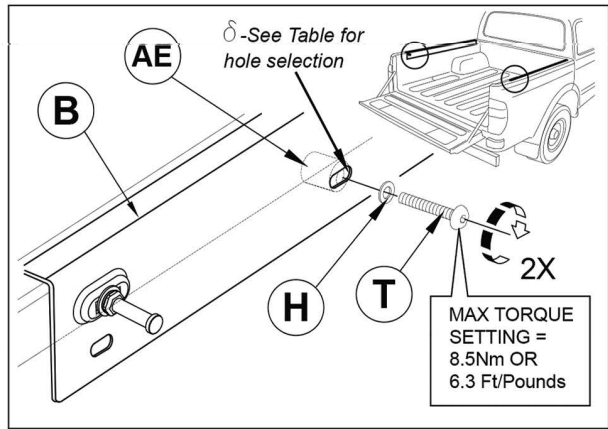
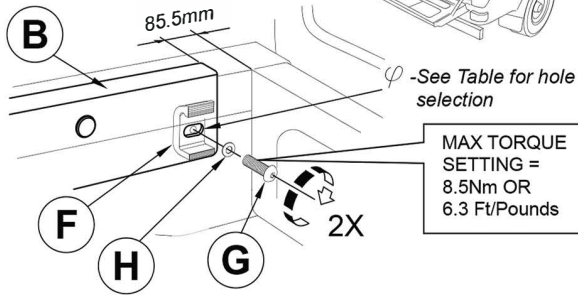
Vehicle Model	Θ
Nissan Navara Xtra Cab (King Cab) 2005/2015	2
Nissan Navara Double Cab 2006/2015	1

3

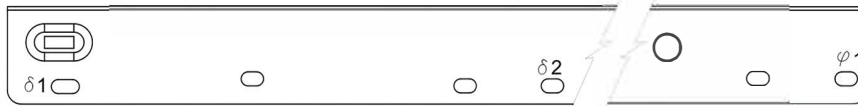
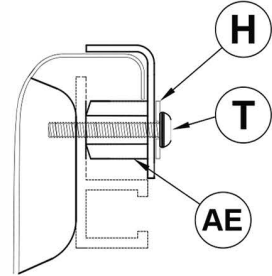


Fitting Kit Number	Product	Revision	Date	Page
KIT289-389RL8F	Upstone Lid	1		

Place front of side mounting brackets back from inside corners of the cargo box

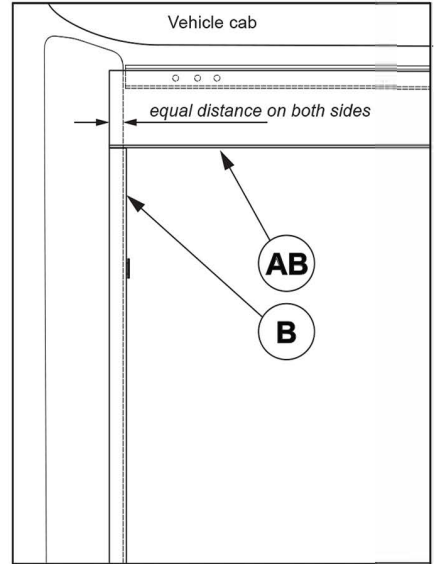
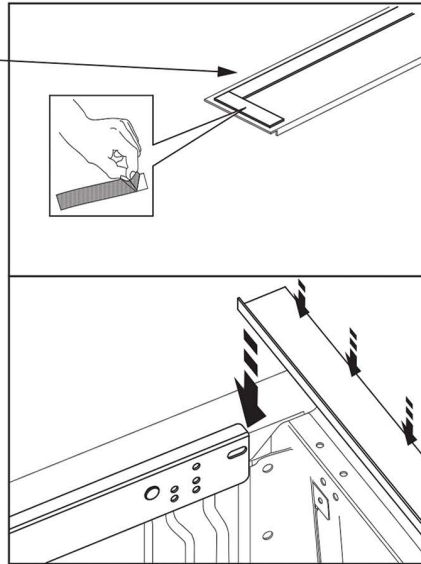
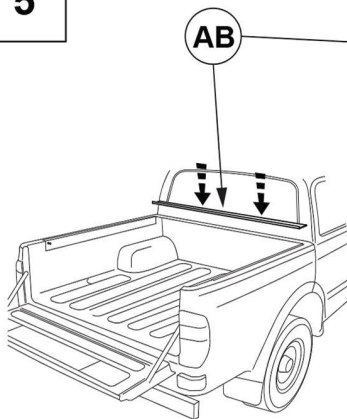



Vehicle Model	δ	φ
Nissan Navara Xtra Cab (King Cab) 2005	1	1
Nissan Navara Double Cab 2006	2	1



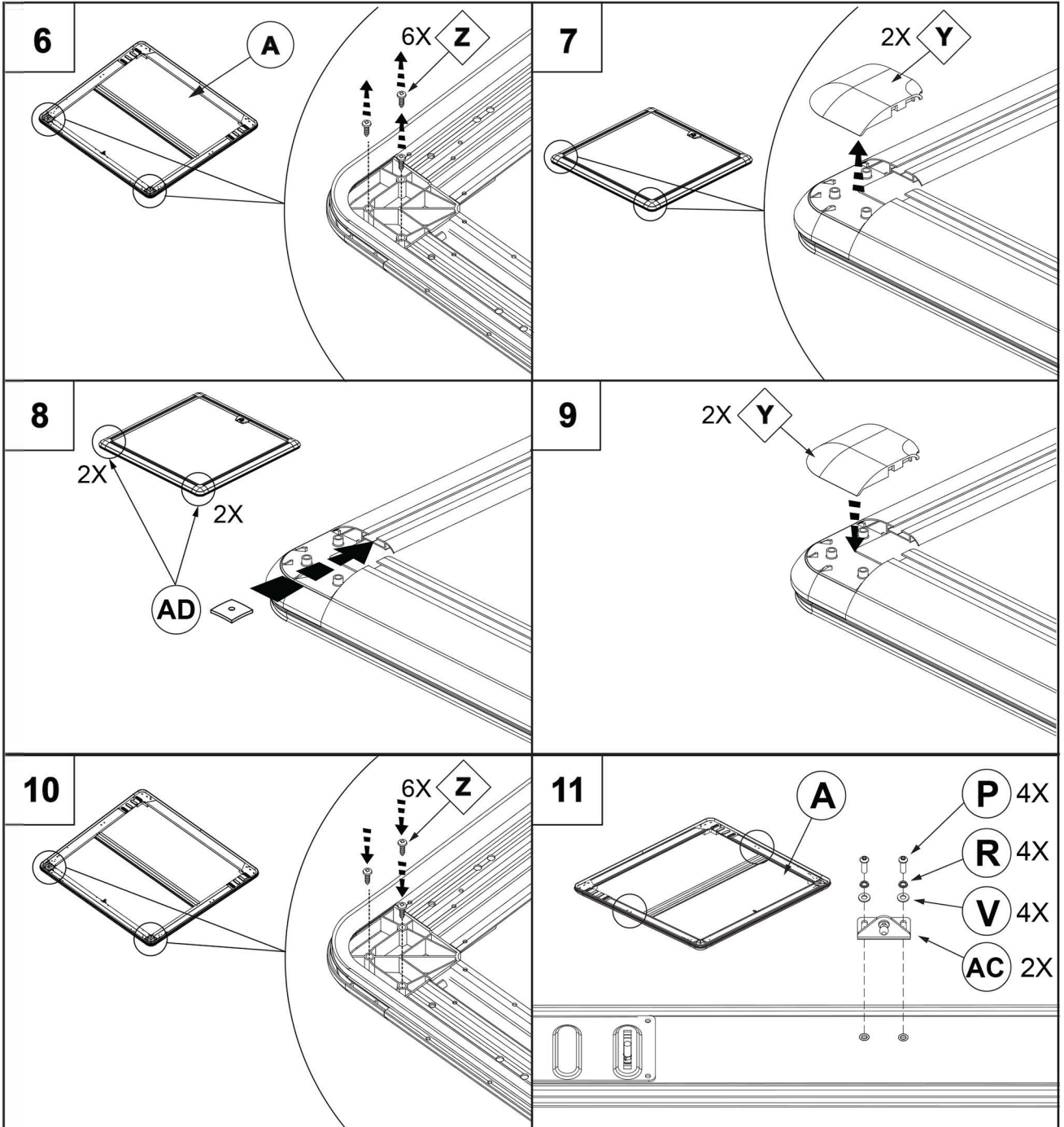
4

5



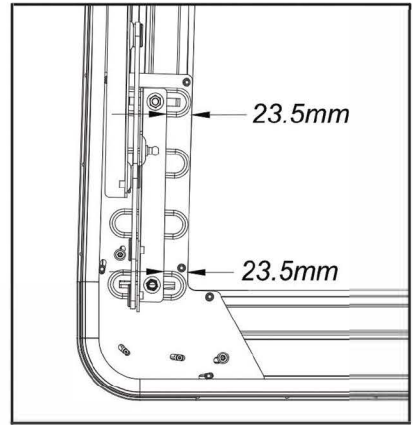
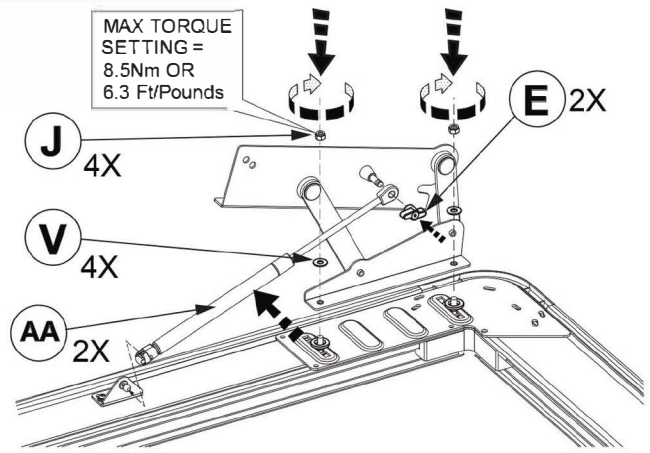
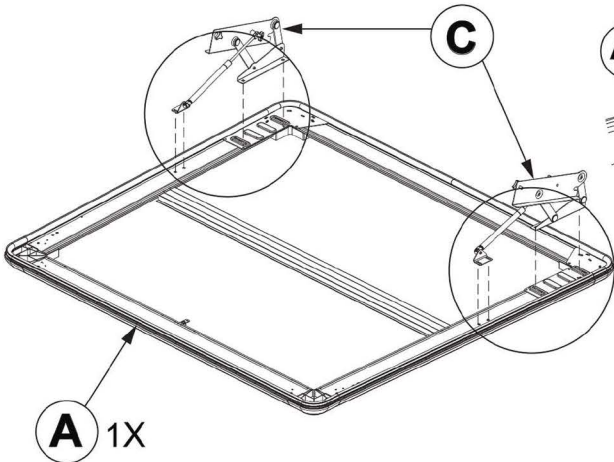
 DO NOT apply below 15°C. Apply pressure to part. Adhesive is pressure activated. Allow 3hrs minimum to cure before installing lid

Fitting Kit Number	Product	Revision	Date	Page
KIT2 89-3 89RLBF	Upstone Lid	1		

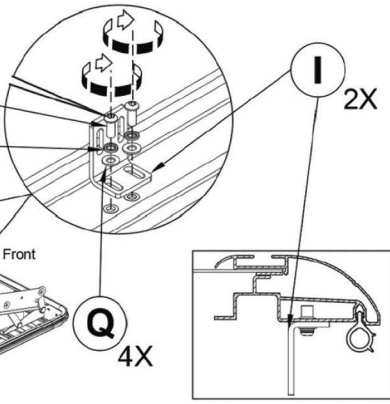
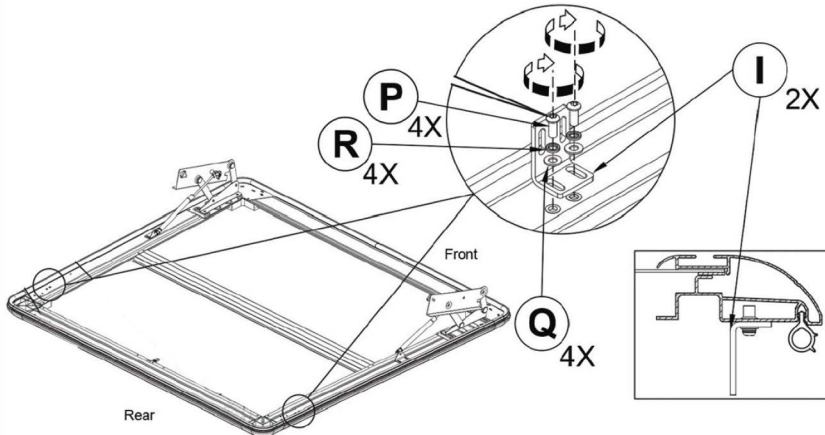


Fitting Kit Number	Product	Revision	Date	Page
KIT289-389RLBF	Upstone Lid	1		

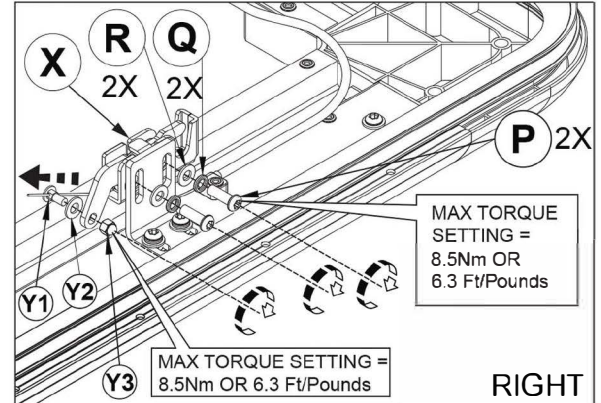
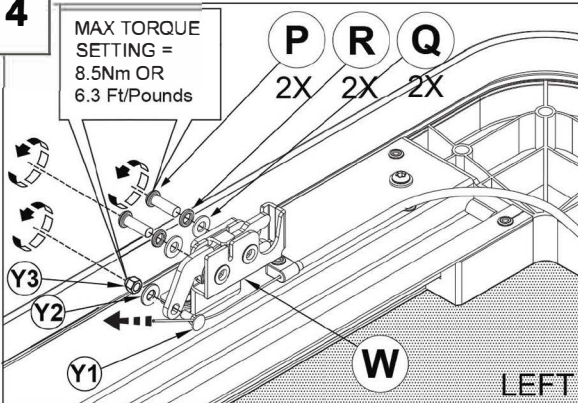
12



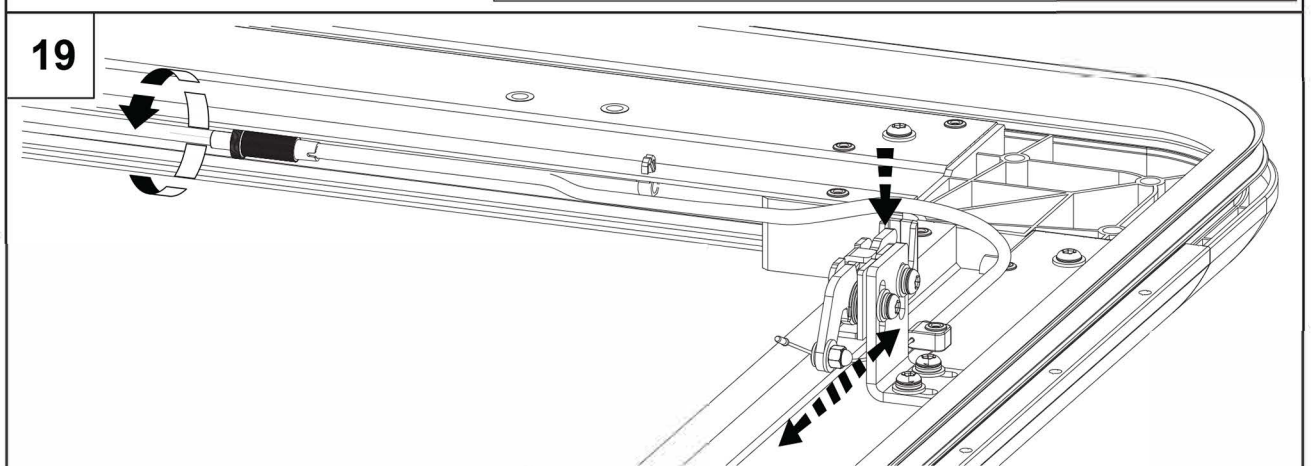
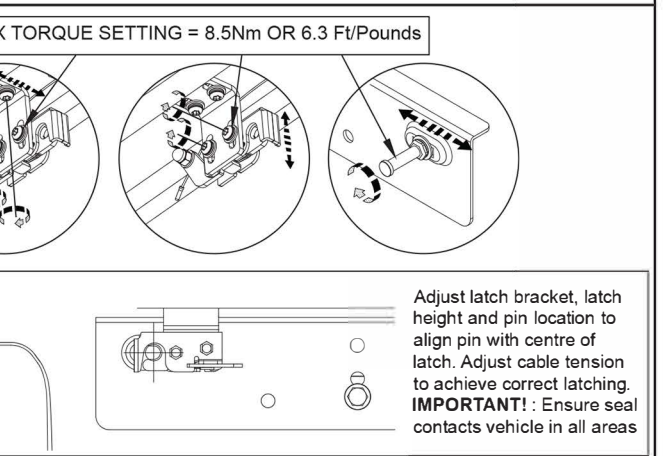
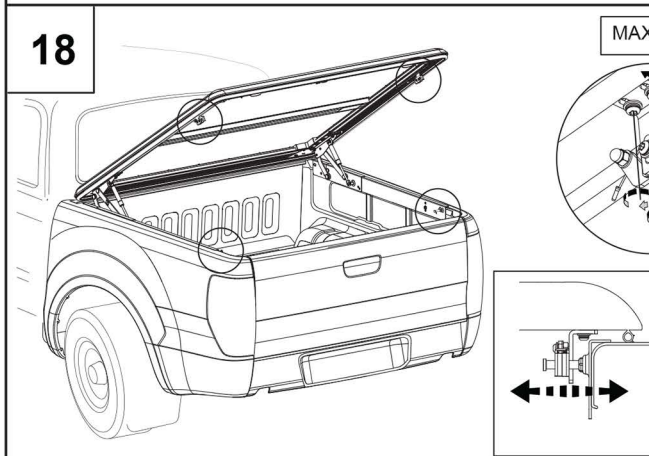
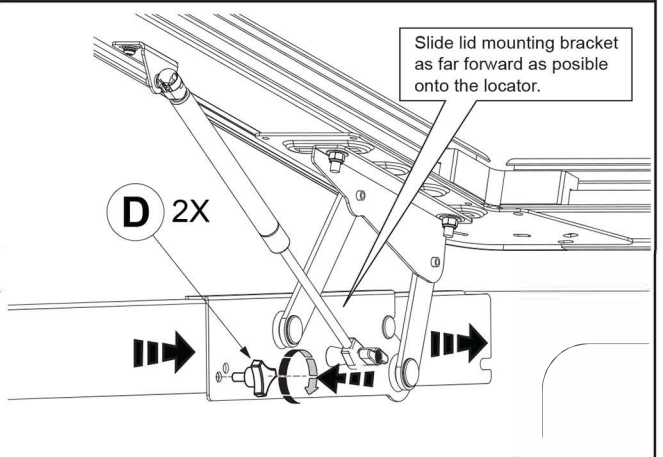
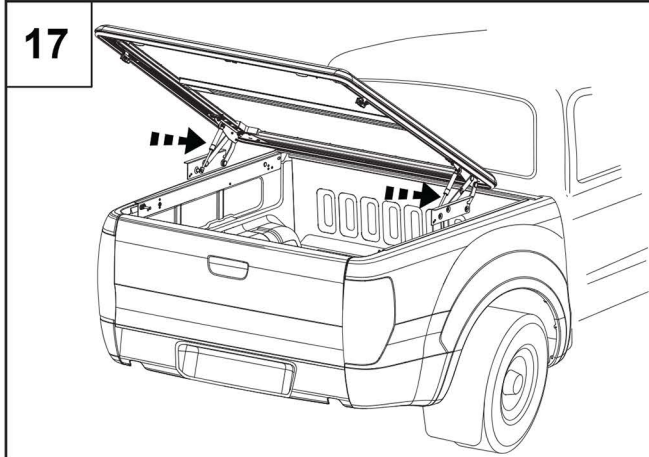
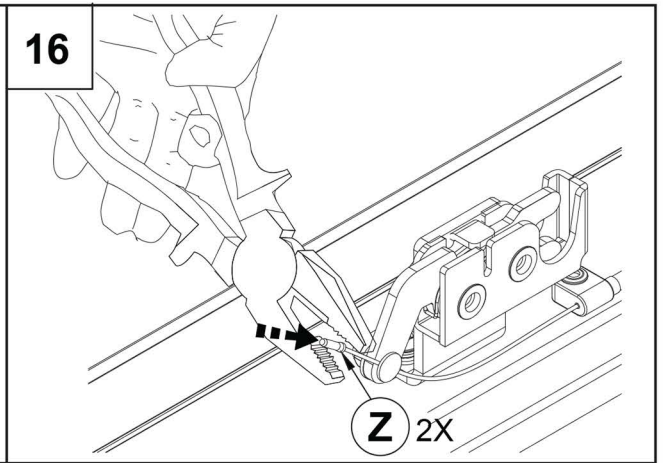
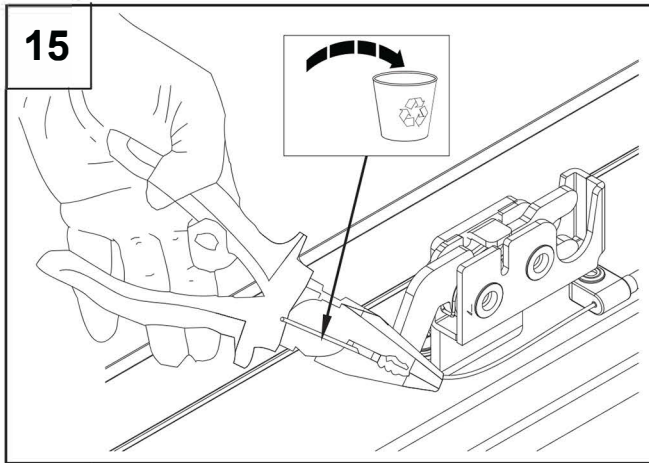
13



14

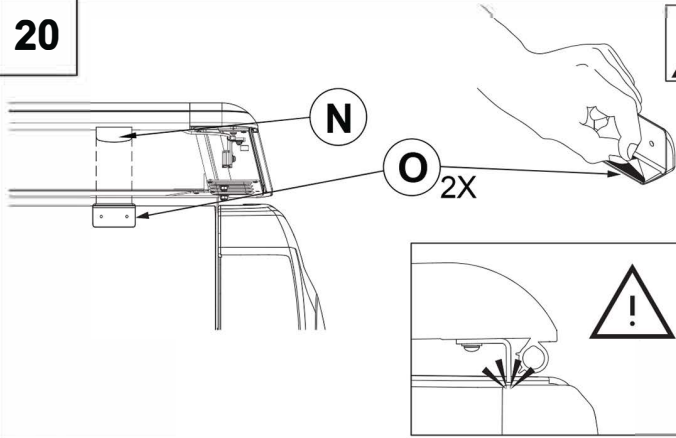


Fitting Kit Number	Product	Revision	Date	Page
KIT289-389RLBF	Upstone Lid	1		

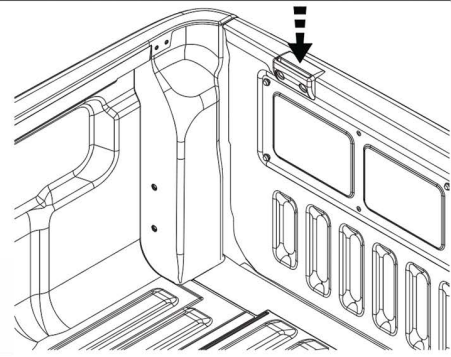


Fitting Kit Number	Product	Revision	Date	Page
KIT289-389RLBF	Upstone Lid	1		

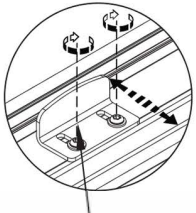
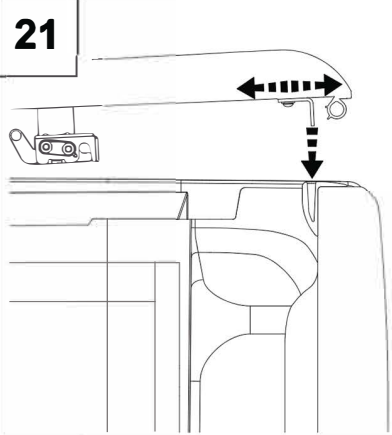
20



DO NOT apply below 15°C.
Apply pressure to part. Adhesive is pressure activated.
Allow 3hrs minimum to cure.



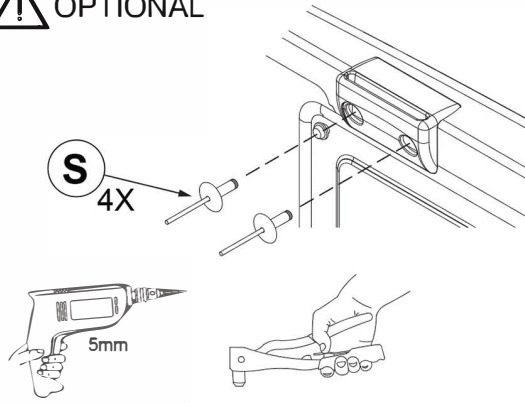
21



MAX TORQUE
SETTING =
8.5Nm OR 6.3
Ft/Pounds

22

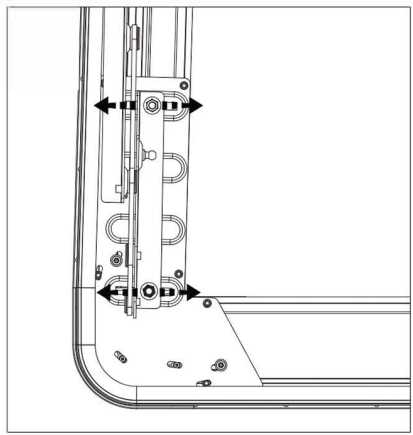
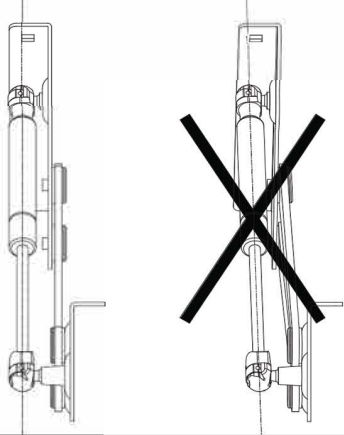
OPTIONAL



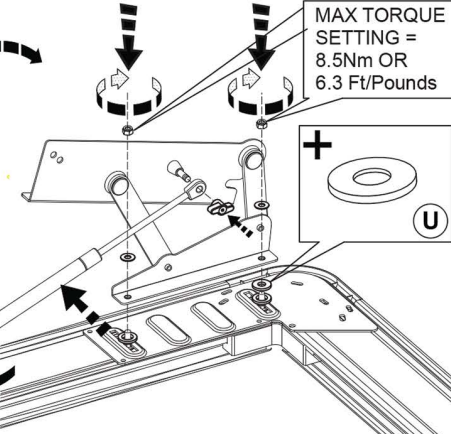
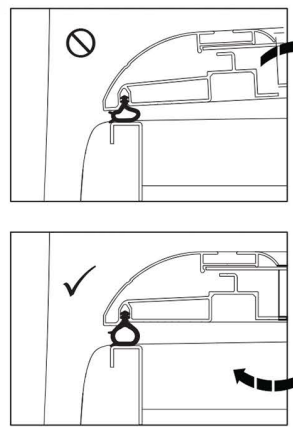
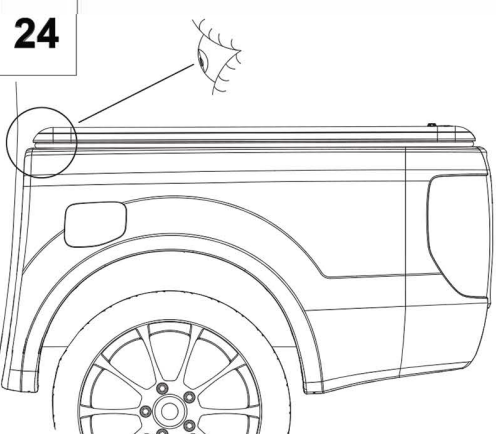
23



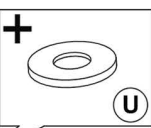
Insure hinge is not
twisted.
Adjust connection
to lid if necessary.



24

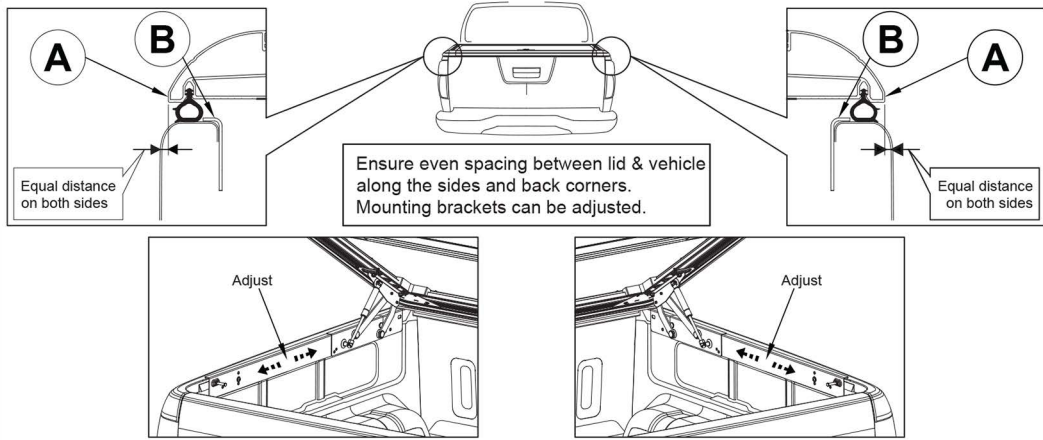


MAX TORQUE
SETTING =
8.5Nm OR
6.3 Ft/Pounds



Fitting Kit Number	Product	Revision	Date	Page
KIT289-389RLBF	Upstone Lid	1		

25



After installation carefully and thoroughly clean all debris from the inside of the cargo box.
Retain these instructions for future reference



CAUTION!

- NEVER allow people or animals under the closed cover
- Do not place unsealed solvents or chemicals under the cover
- Do not stand or place heavy objects on the cover
- Do not open lid when under load.
- Close the cover before operating the vehicle
- Do not allow oil, solvents or chemicals to contact the cover
- Clean only with a mild detergent and water solution

Fitting Kit Number	Product	Revision	Date	Page
KIT289-389RLBF	Upstone Lid	1		

**ISUZU
NISSAN NAVARA
TOYOTA HILUX
VOLKSWAGEN AMAROK**



Item Code

Codice Articolo

: RUP/470/IX

Référence Article

GB

STAINLESS STEEL
MEDIUM BAR




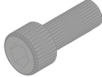

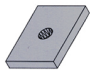
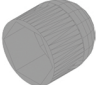

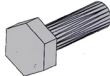


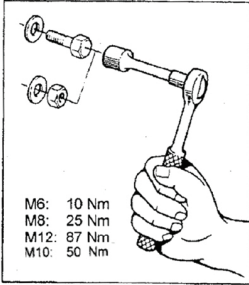
FR

**MEDIUM BAR
EN ACCIER INOX**

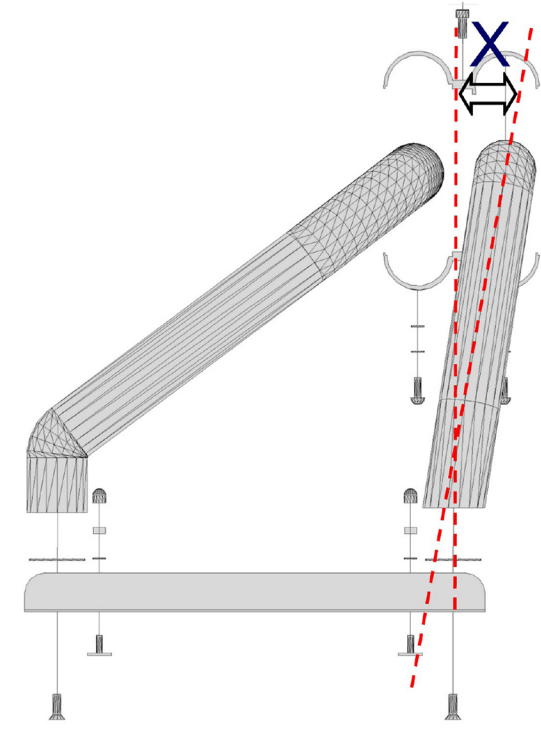
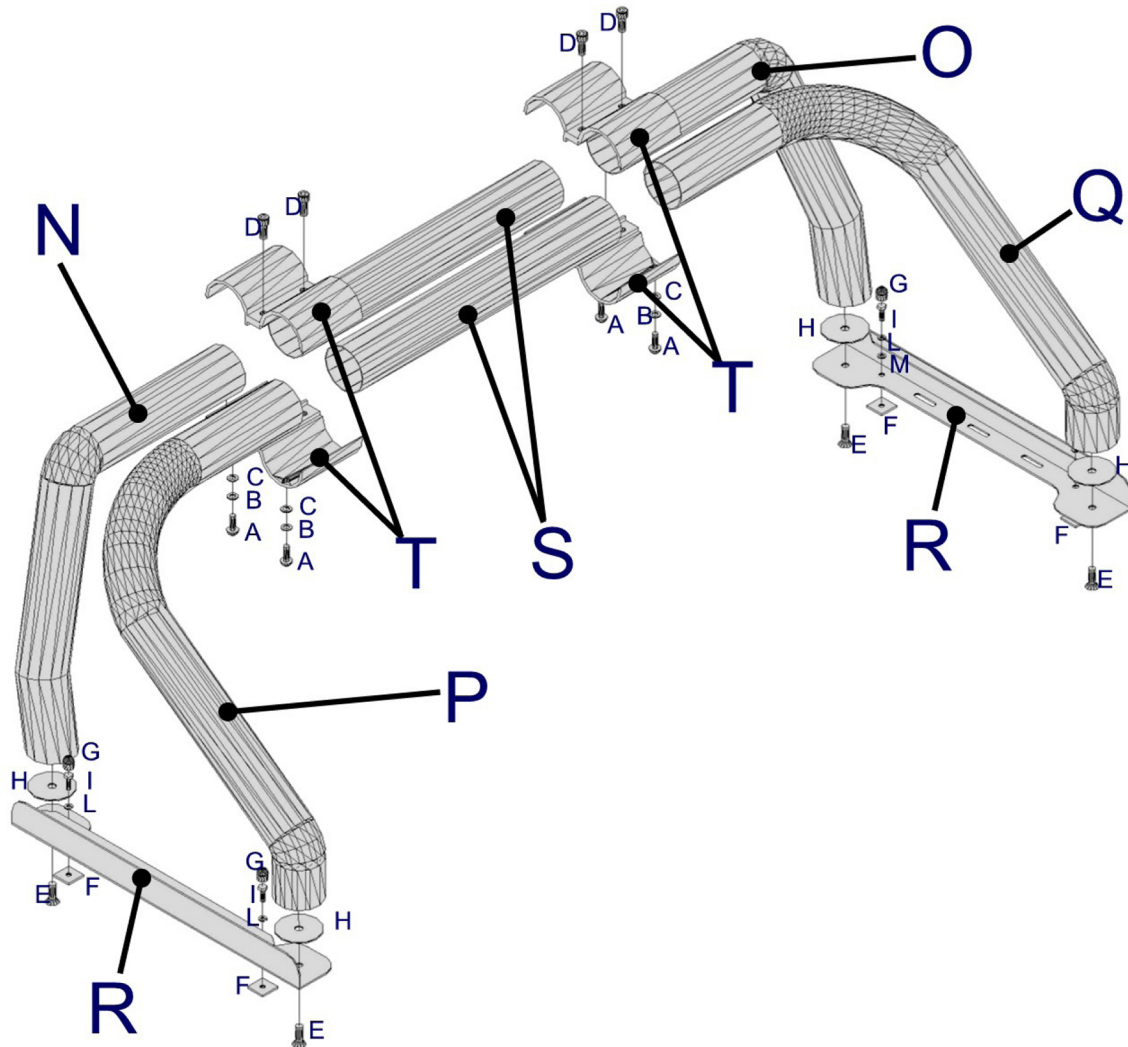
ISUZU, NISSAN NAVARA, TOYOTA HILUX, VOLKSWAGEN AMAROK

Part List

Liste des pièces

A  TBCEI 8X25 x 4	B  Ø 8 x 4	C  Ø 8 x 4	D  TCEI 10X25 x 4	E  TSPEI M10X25 x 4
F  M6 x 4	G  Cappelletti M 6 x 4	H  VIPLA Ø 80 x 4	I  TE 6X15 x 4	L  BIG Ø 6 <i>GRAND</i> x 4
M  Ø 6 x 4	N AS7/SX x1	O AS7/DX x1	P PS7/SX x1	Q PS7/DX x1
R RLS/7TR x2	S RLB/06 x2	T RLB Ø76 x2	 <p>M6: 10 Nm M8: 25 Nm M12: 87 Nm M10: 50 Nm</p>	

ISUZU, NISSAN NAVARA, TOYOTA HILUX, VOLKSWAGEN AMAROK



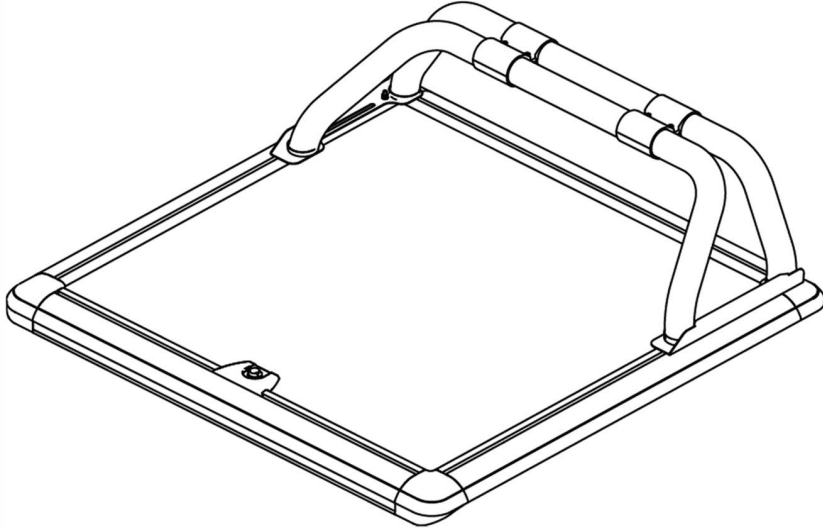
WARNING: fit the N and O front bends as shown in the drawing

ATTENTION: monter les curves anterieures N et O comme indique dans le dessin.

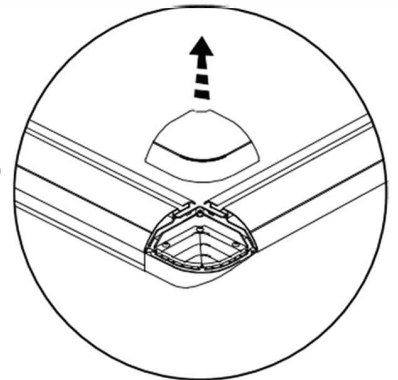
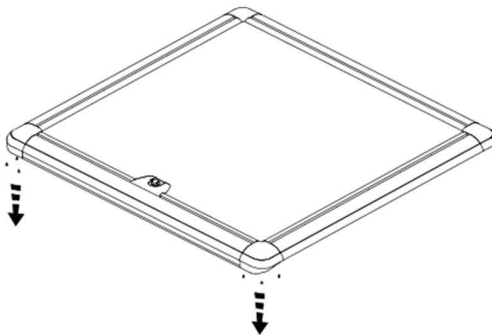
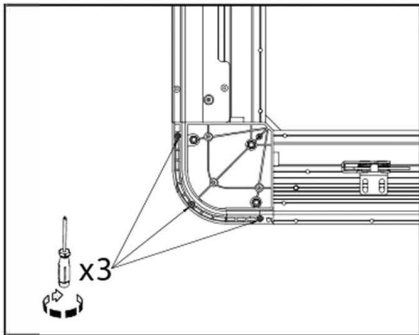
UpStoneEvolve

INSTALLATION INSTRUCTIONS WITH ROLL BAR

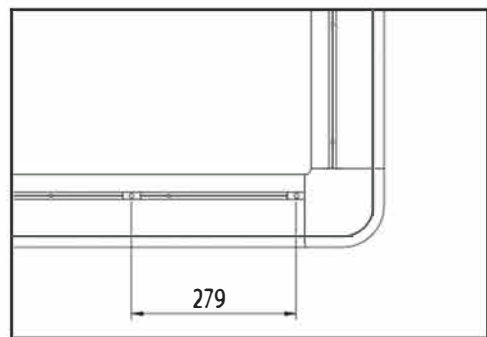
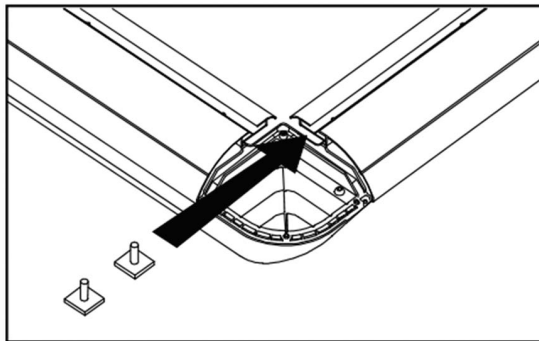
RLB76



- 1** Remove caps by unscrewing the 3 screws in the back corner both left and right.



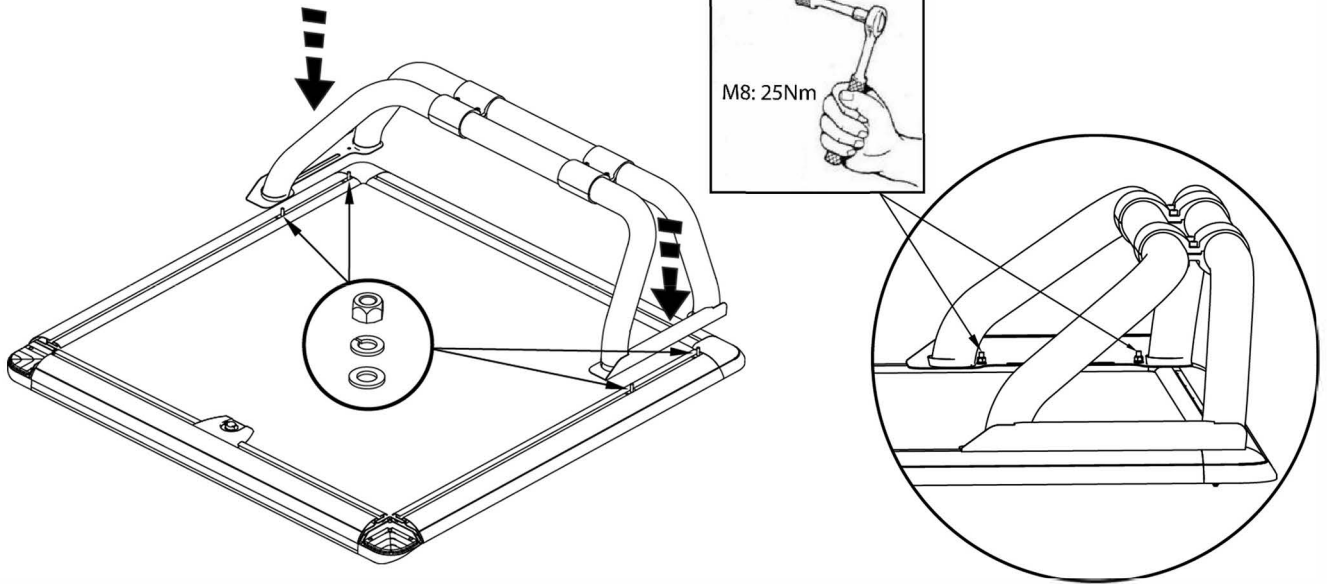
- 2** Insert 2 x Square bolts in both the left and right rails.



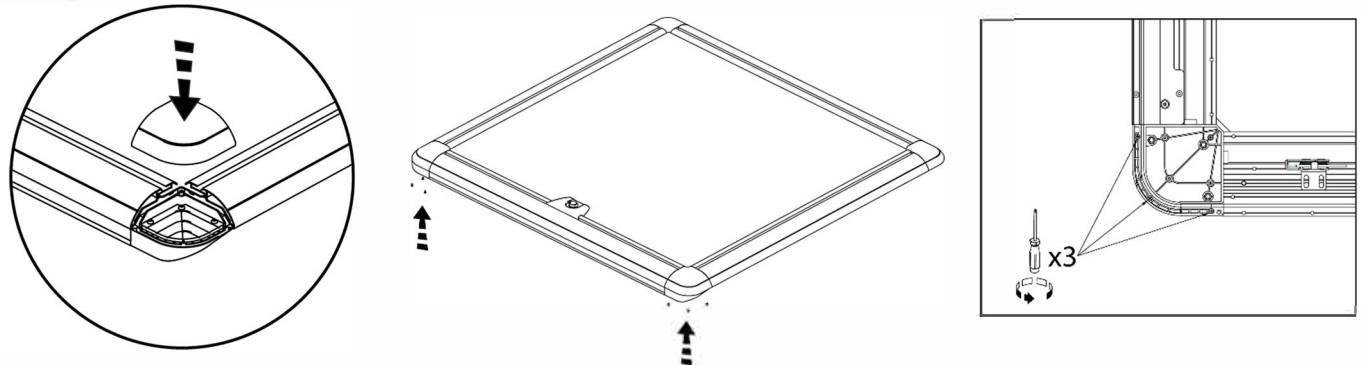
Fitting Kit Number	Product	Revision	Date	Page
RLB76F	Medium SS Bar	1		12

3

Place the sport bar onto the cover aligning the holes on the foot plate with the square bolts inserts.
Fix with nut, spring washer and washer.

**4**

Replace the caps on the covers corners



Fitting Kit Number	Product	Revision	Date	Page
RLB76F	Medium SS Bar	1		13

UpStoneEvolve

Info@upstone.fr